



Range : 63A-400A  
Execution : TPN & FP  
Specification : IS : 13947- 1 & 3 & IEC : 60947 - 1&3



**STANDARD  
DOUBLE BREAK FUSE SWITCH UNIT**

A complete range of Double Break Fuse Switch Unit are offered to suit varied power distribution application. The fuse switches are fully type tested with short circuit breaking capacity of 80kA as per utilization category AC22B & AC23B (For 300 & 400A only).

Range	: 63A-400A
Execution	: TPN & FP
Specification	: Conforms to :
	IS : 13947 - 1 & 3
	IEC : 60947 - 1 & 3

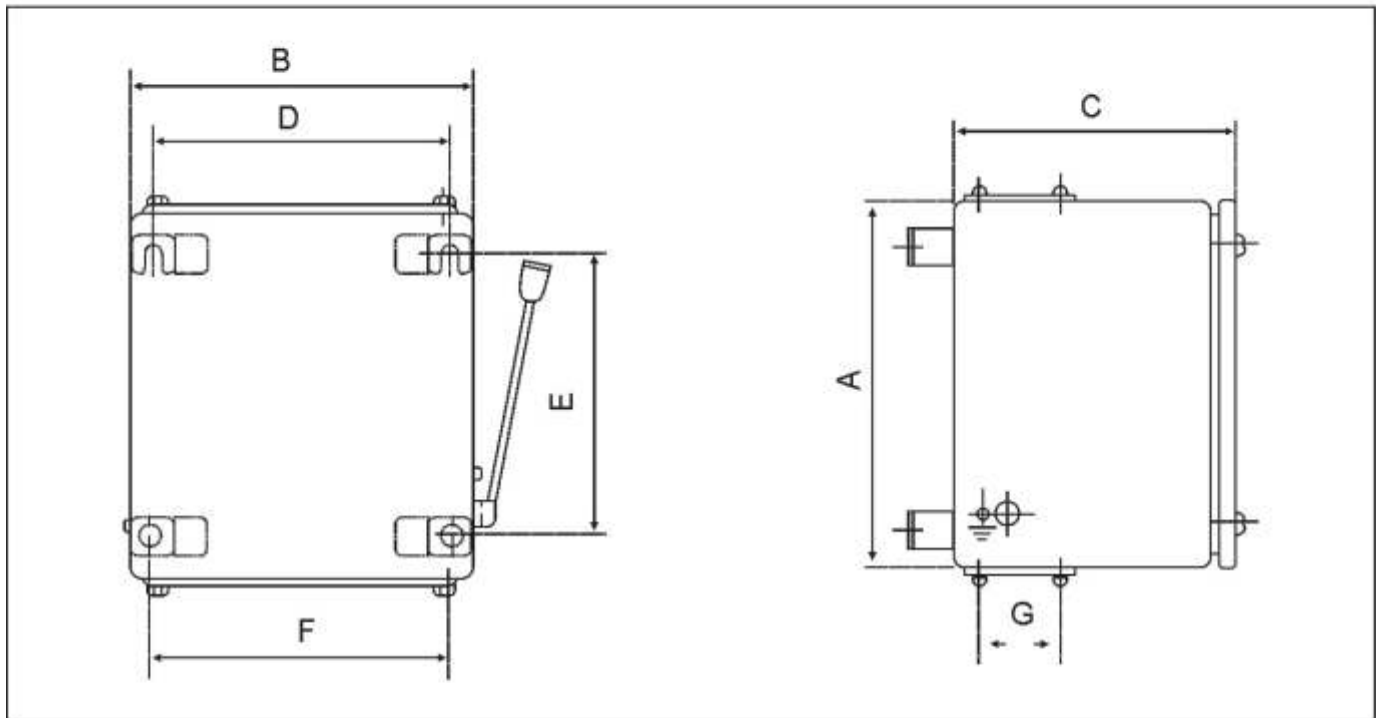


## Features

- ISI Marked.
- Tested for 80kA as per utilisation category AC-22B/AC-23B conforming to IS : 1394 - 1 & 3, IEC : 60947 - 1&3.
- Hard silver plated contacts for high conductivity and longer life.
- Terminals suitable for accommodating aluminium/copper conductors.
- Upto 100A terminals of block design suitable for bottle type sockets and 200A to 400A terminals of strip design suitable for cable lugs.
- Rigorous anti-rust conditioning with seven tank system to ensure smooth and lasting paint finish against corrosive atmosphere.
- Double break isolation enables incoming supply to be connected to either bottom or top terminals.
- Quick make and break mechanism independent of speed of operating handle.
- Door interlock provided.
- Sheet steel cable end boxes available on request.

## Dimensions (in mm)

S. No.	Rating Amps	Execution	Type		Fuse Link As per IS: 13703	Fuse Type	A	B	C	D	E	F	G
1.	63	TPN	FSH63	TPN	A3	STIS	292	266	218	230	198	244	62
2.	100	TPN	FSH 100	TPN	A4	STCP	292	266	218	230	198	244	62
3.	200	TPN	FSH200	TPN	B2	STF	354	333	280	303	275	311	125
4.	300	TPN	FSH300	TPN	B3	STKF	354	333	280	303	275	311	125
5.	400	TPN	FSH400	TPN	B4	STMF	425	333	280	303	346	311	125
6.	63	FP	FSH63	FP	A3	STIS	292	320	218	284	198	298	62
7.	100	FP	FSH 100	FP	A4	STCP	292	320	218	284	198	298	62
8.	200	FP	FSH200	FP	B2	STF	354	410	280	380	275	388	125
9.	300	FP	FSH300	FP	B3	STKF	354	410	280	380	275	388	125
10.	400	FP	FSH400	FP	B4	STMF	425	410	280	380	346	388	125





### TRIPLE POLE & NATURAL POLE

Rating	Cat No.
63	FSNTE4063
100	FSNTE4100
200	FSNTE4200
300	FSNTE4300
400	FSNTE4400



### FOUR POLE

Rating	Cat No.
63	FSNFE4063
100	FSNFE4100
200	FSNFE4200
300	FSNFE4300
400	FSNFE4400

