



Range	: 16A-63A in three versions a) On-Off b) Reversible c) Changeover
Execution	: DP, TP & FP
Specification	: Conforms to IS : 13947-1&3



STANDARD L.T. CONTROL SWITCH

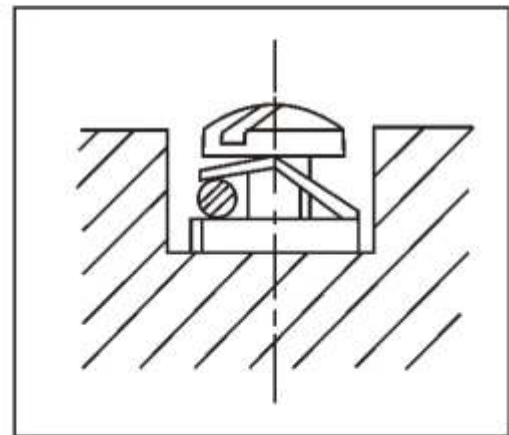
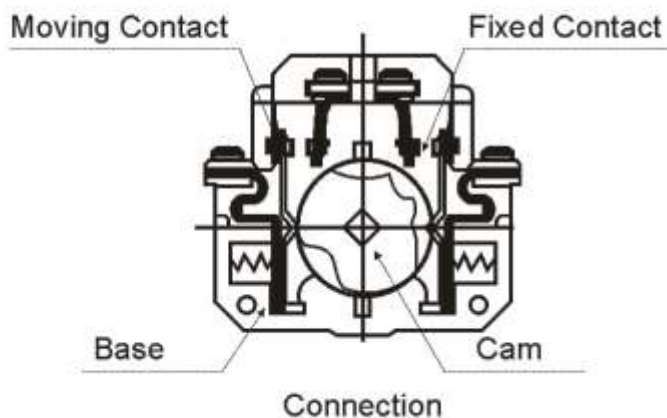


Features

- ✍ Range: 16, 25, 32 and 63A.
- ✍ Ideal for all types of small drives for direct switching and control of three phase AC motors.
- ✍ Ideal for installation on machine tools.
- ✍ Moulded handle can be fixed in any of the 16 different positions by loosening the cap screw to suit mounting requirements.
- ✍ Motor duty switches and HP rated switches are suitable for reliable and safe starting and stopping of Three Phase AC Motors even under heavy starting current of upto 10 times and locked rotor conditions.
- ✍ Suitable for frequency of operation upto 200 switching cycles per hour.
- ✍ Mechanical life of 5 million switching cycles.



Sectional View of Switching Element



Technical Data

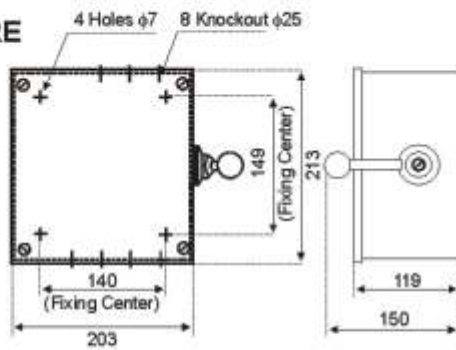
Description	Rating Amps. Ie/AC 22	Utilisation Category	Execution	Max. Permissible Rated motor output at 415V 3-Phase, 50Hz HP	Type	
					With Enclosure	Open Execution
ON-OFF Switch	16/25/63	AC 3	TP	7.5	S3LS3 16A	*
				10	S3LS3 25A	OS3LS3 25A
				40	S3LS3 63A	OS3LS3 63A
Reversible Switch	16/25/63	AC 4	TP	5	S3RS3 16A	*
				7.5	S3RS3 25A	OS3RS3 25A
				40	S3RS3 63A	OS3RS3 63A
Changeover Switch	16/32/63	AC 4	DP	5	S2CHD P16	*
				7.5	S2CHD P32	OS2CHDP 32
				40	S2CHD P63	OS2CHDP 63
			FP	7.5	S4CHF P32	OS4CHFP 32
				40	S4CHF P63	OS4CHFP 63

Dimensions (in mm)

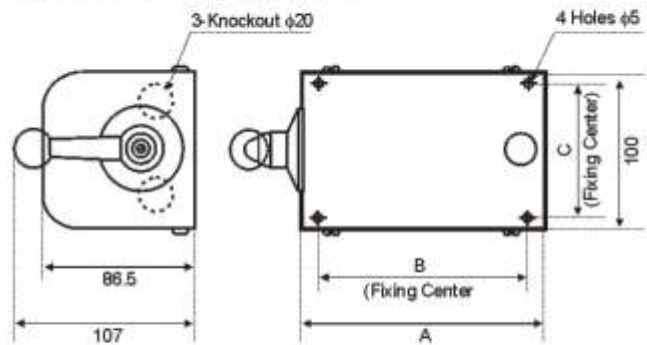
Rating Amps	Execution	A	B	C
16/25/32	DP/TP	123	100	75
	FP	142	117	72

G. Tolerance ± 1.5

ENCLOSURE 63 A



ENCLOSURE 16/25/32 A



L.T. CONTROL SWITCH (On-Off Version)

Rating	Cat No.	
	Open Execution	With Enclosure
16	-	CSWOTW016
25	CSWOTO025	CSWOTW025
63	CSWOTO063	CSWOTW063



L.T. CONTROL SWITCH (Reversible Version)

Rating	Cat No.	
	Open Execution	With Enclosure
16	-	CSWRW016
25	CSWRTO025	CSWRW025
63	CSWRTO063	CSWRW063



L.T. CONTROL SWITCH (Changeover Version) Double Pole

Rating	Cat No.	
	Open Execution	With Enclosure
16	-	CSWCDW016
32	CSWCDO032	CSWCDW032
63	CSWCDO063	CSWCDW063


L.T. CONTROL SWITCH (Changeover Version) Four Pole

Rating	Cat No.	
	Open Execution	With Enclosure
32	CSWCFO032	CSWCFW032
63	CSWCFO063	CSWCFW063

