



Range : 250, 400 & 630A  
Execution : SP & TP  
Specification : Conforms to : IS : 60947-3 &  
DIN : 43623



**STANDARD  
VERTICAL FUSE SWITCH & FUSE BASE**

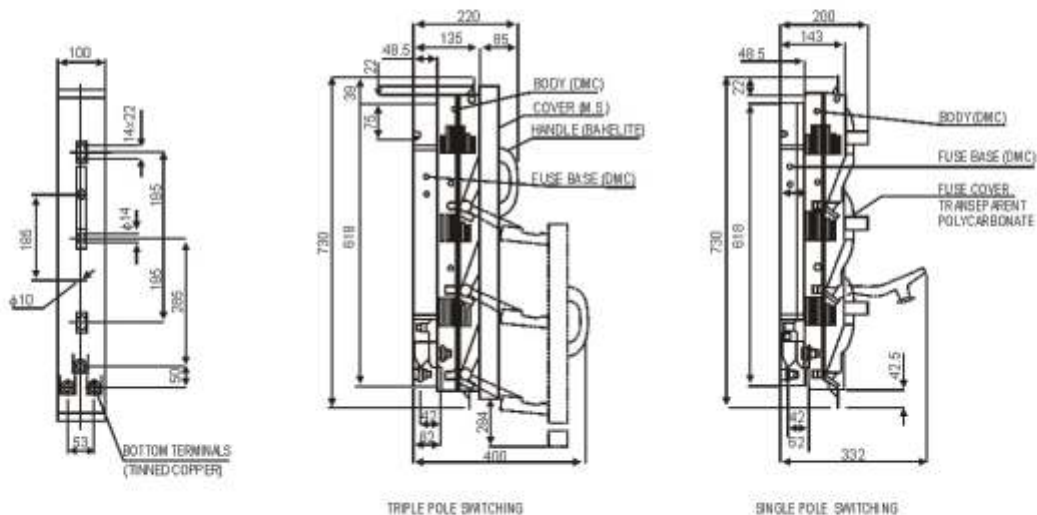
## Features

- ✎ Range : 250, 400 and 630 Amps.
- ✎ Type : Triple Pole Switching & Single Pole Switching. Three phase fuse base also available.
- ✎ Specially designed for busbar mounting in Distribution Boards, Feeder Pillars, Power Control Centres.
- ✎ Centre to centre assembly spacing 120 mm at a depth of 250mm.
- ✎ Directly bolted on the busbar with spacing 185mm as per DIN 43623.
- ✎ Contacts of electrolytic copper, silver plated with back up springs for contact pressure.
- ✎ Arc chutes provided in DMC housing for Arc Quenching.
- ✎ Terminal bolt sizes are 10mm for 250A and 400A and 12mm for 630 Amps. Terminals at the bottom.
- ✎ Suitable for Knife/DIN HBC fuselinks in size 1, 2 & 3
- ✎ Housing of glass fibre reinforced polyester (DMC) having high electrical and mechanical properties, non inflammable, fire

## Technical Data

Cat No.	SVFS-3/250	SVFS-3/400	SVFS-3/630
Poles	3	3	3
Rated Current	250 Amps.	400 Amps.	630 Amps.
Rated Insulation Voltage	660 Volts	660 Volts	660 Volts
Rated Operational Voltage	415 Volts	415 Volts	415 Volts
Rated Frequency	50 Hz	50 Hz	50 Hz
Rated Making/Breaking Capacity at 415 V pf-0.65, AC-22B	750 Amps.	1200 Amps.	1900 Amps.
Rated short time withstand current for 1 second	5 KA (RMS)	8 KA (RMS)	12 KA (RMS)
Rated Fused short circuit Making/withstand capacity	80 KA	80 KA	80 KA
Fuse Size	1	1	3
Mechanical Life	1400	1000	1000
Ambient Temp	upto +55°C	upto +55°C	upto +55°C

## Dimensions (in mm)



General Tolerance  $\pm 1.5\text{mm}$