



Range : 63 - 1000A
Execution : FP
Specification : Conforms to
IS : 13947 - 1 & 3 & IEC : 60947 - 1&3

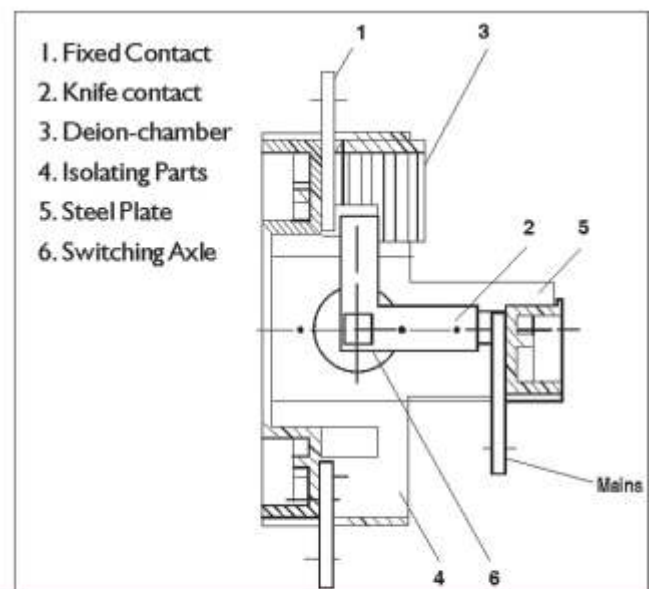


STANDARD ON LOAD CHANGEOVER SWITCH

- Range : 63, 125, 200, 250, 400, 630, 800 and 1000 Amps.
- Robust bevel gear mechanism eliminates 'play' and reduces wear and tear.
- Sources and Load Marked as S1, S2 and Load respectively for easy identification.
- Arc chutes provided for better quenching of arc.
- Visual inspection of contacts through transparent poly carbonate covers.
- Supplied with operating shaft on the right; front operated.
- Can be mounted in either vertical or horizontal position.
- Available in open execution and in sheet steel enclosure with door interlocking.
- Rear side operated available on request.



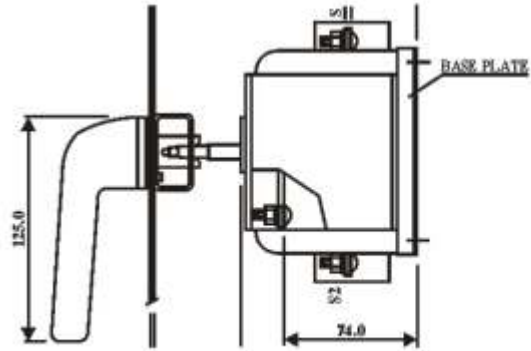
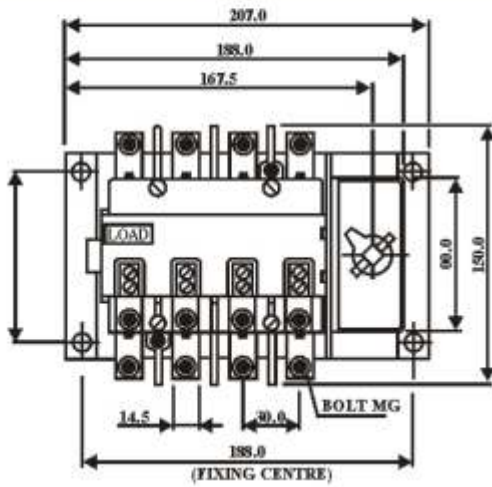
The operating mechanism in ratings of 200A to 1000A uses a Bevel gear system.



Technical Data

Type		SCH 63 FP	SCH 125 FP	SCH 200 FP	SCH 250 FP	SCH 400 FP	SCH 630 FP	SCH 800 FP	SCH 1000FP
No. of Poles	Nos.	4	4	4	4	4	4	4	4
Rated Operational Voltage, Ue	V	415	415	415	415	415	415	415	415
Rated Insulation Voltage, Ui	V	660	660	660	660	660	660	660	660
Rated Current	Amp.	63	125	220	250	400	630	800	1000
Utilization Category		AC22A	AC22A	AC22A	AC22A	AC22A	AC22A	AC22A	AC22A
Rated Frequency	Hz	50	50	50	50	50	50	50	50
Rated Breaking Capacity, 415V, 50Hz, COSφ-0.65	Amp.	190	375	600	750	1200	1900	2400	3000
Rated Making Capacity, 415V, 50Hz, COSφ-0.65	Amp.	190	375	600	750	1200	1900	2400	3000
Operation Power	KW	25	49	64	98	158	250	316	395
Mechanical Life	Add	10000	10000	10000	10000	10000	5000	5000	5000
Electrical Life	Operations								
	Add	1500	1500	1000	1000	1000	1000	500	500
Terminal Size	Operations								
	mm	15x3	15x4	20x4	25x4	25x6	45x5	45x6	45x8
Reference Specifications IS : 13947- 1 & 3 /IEC 60947 - 1 & 3									

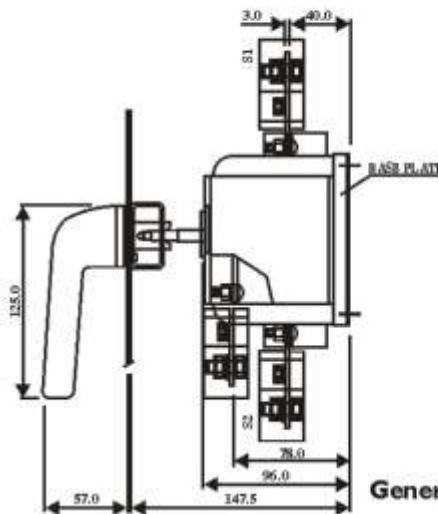
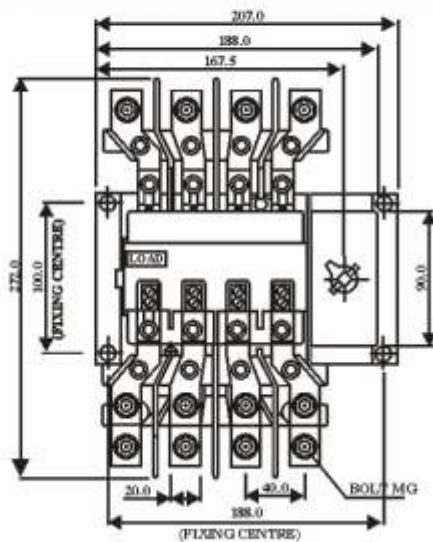
Dimensions (in mm) SCH 63A



S1 and S2 are source Terminals

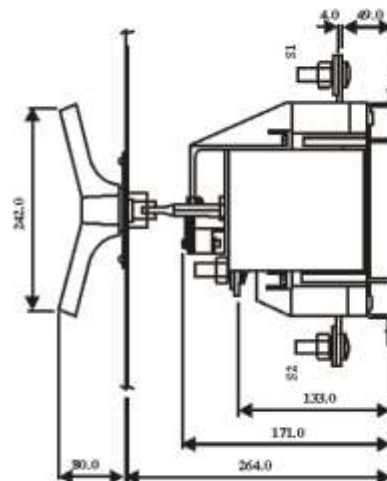
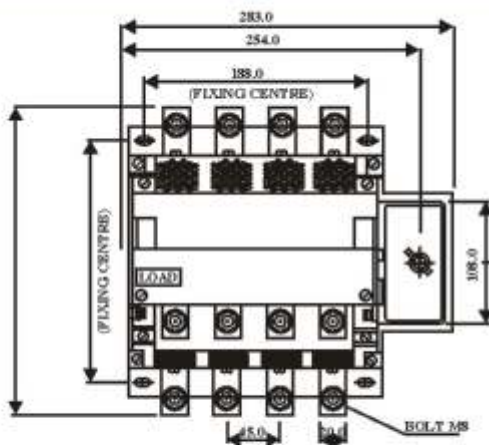
General Tolerance ± 1.5

Dimensions (in mm) SCH 125A (With Extended Terminal)



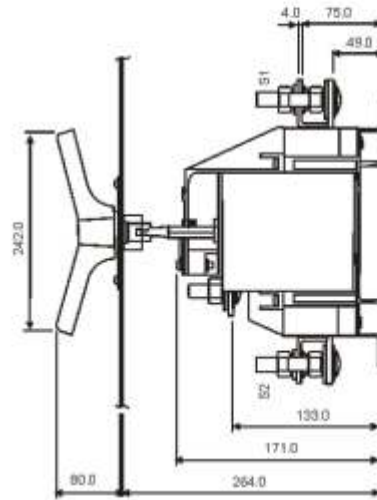
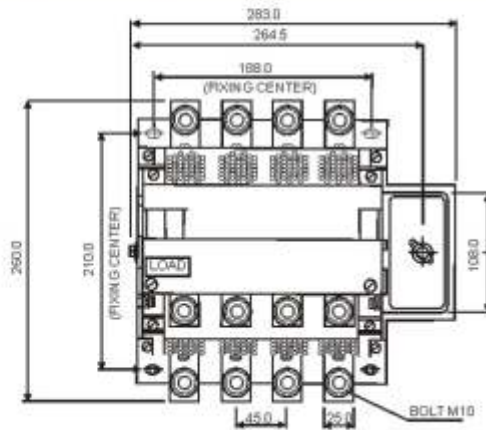
General Tolerance ± 1.5

Dimensions (in mm) SCH 200A



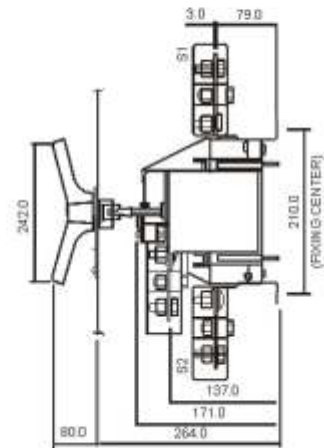
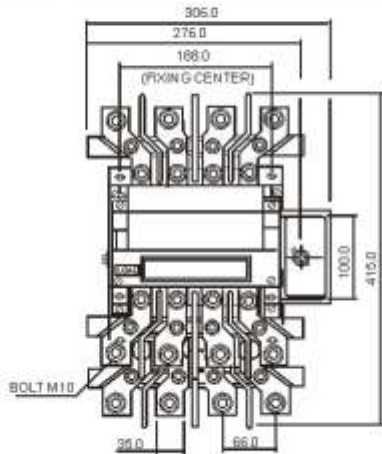
General Tolerance ± 1.5

Dimensions (in mm) SCH 250A



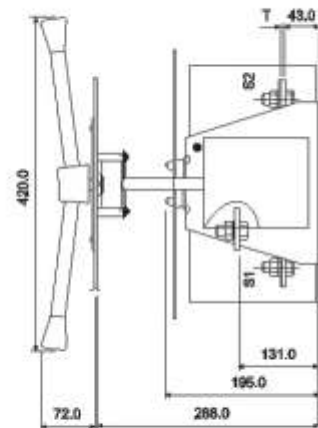
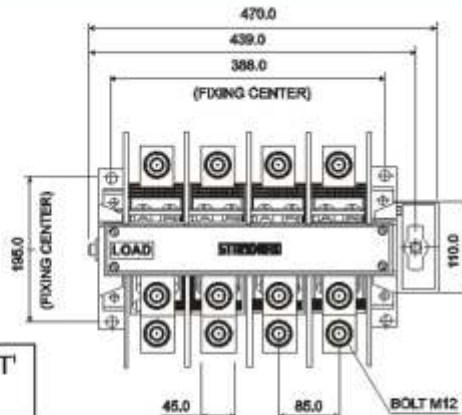
General Tolerance ± 1.5

Dimensions (in mm) SCH 400A (With Extended Terminal)



General Tolerance ± 1.5

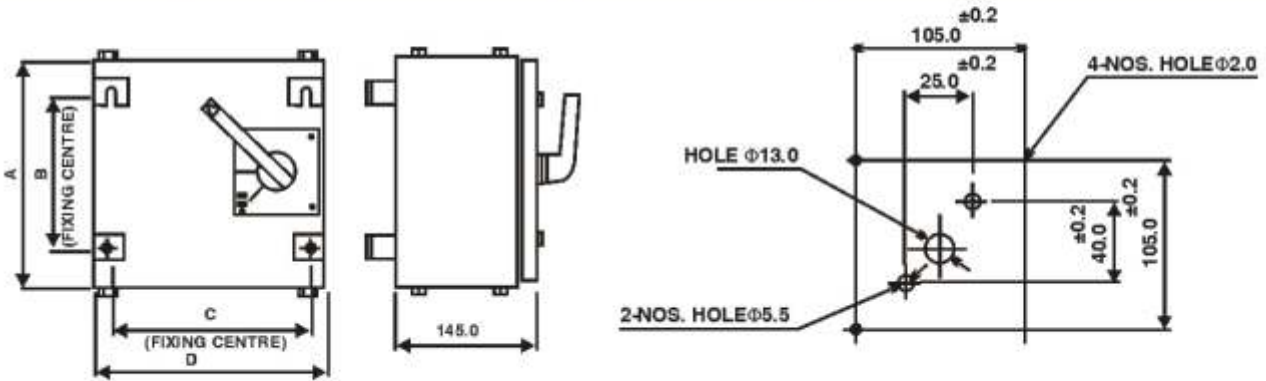
Dimensions (in mm) SCH 630/800/1000A



S. No.	Rating (Amps.)	'T'
1.	630	5.0
2.	800	6.0
3.	1000	8.0

General Tolerance ± 1.5

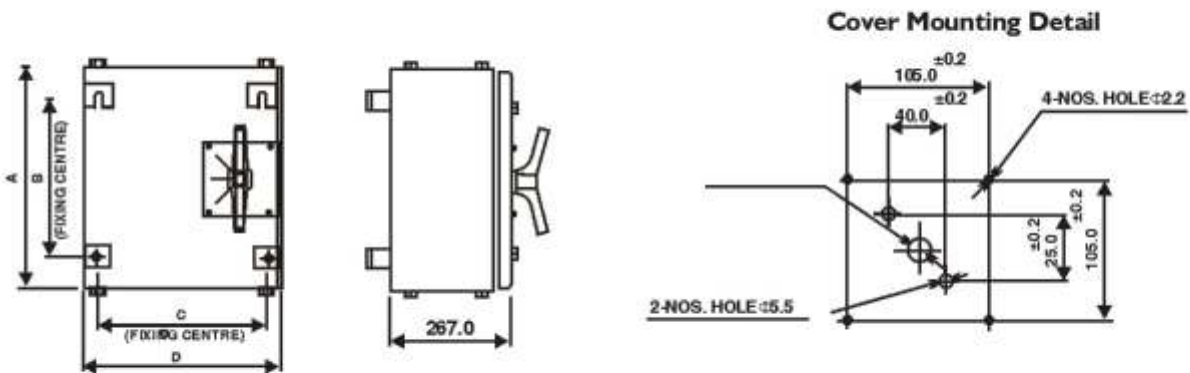
Dimensions (in mm) SCH 63/125A (with Enclosure)



S. No.	Rating (Amps.)	A	B	C	D
1.	63	260.0	190.0	203.0	235.0
2.	125 with extended terminal	400.0	330.0	223.0	255.0

General Tolerance ± 1.5

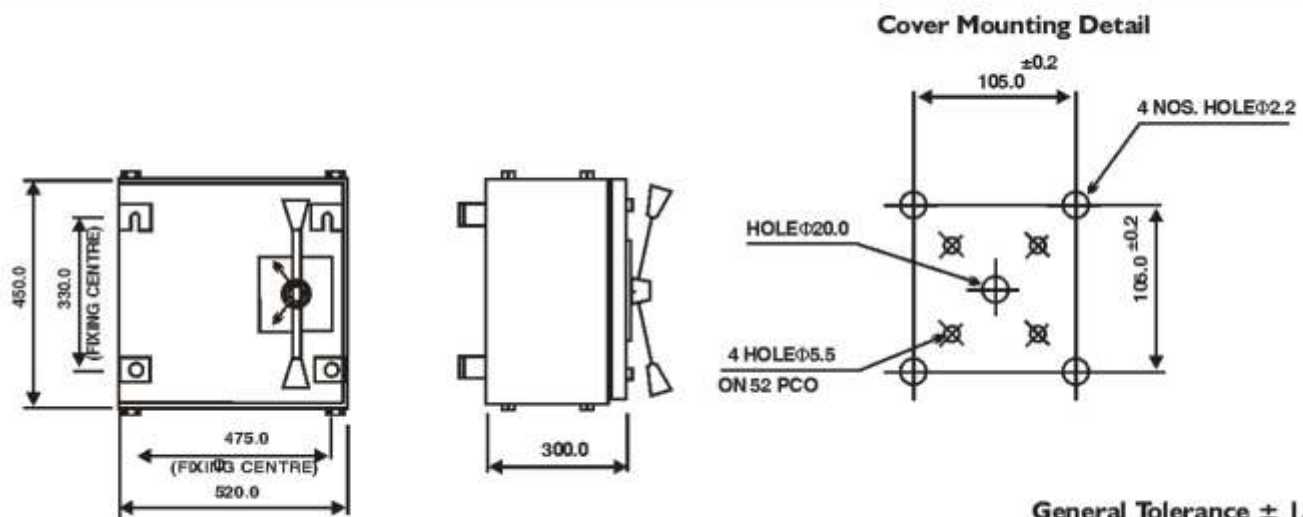
Dimensions (in mm) SCH 200/250/400A (With Enclosure)



S. No.	Rating (Amps.)	A	B	C	D
1.	200/250	350	268	300	330
2.	400 with extended terminal	500	400	340	375

General Tolerance ± 1.5

Dimensions (in mm) SCH 630/800/1000A



General Tolerance ± 1.5

ON LOAD CHANGEOVER SWITCHES Four Pole (Open Execution)

Rating	Cat No. W/O Adaptor
63	CSOFO0063
100	CSOFO0100
125	CSOFO0125
200	CSOFO0200
250	CSOFO0250
400	CSOFO0400
630	CSOFO0630
800	CSOFO0800
1000	CSOFO1000


ON LOAD CHANGEOVER SWITCHES Four Pole (with Sheet Steel Enclosure)

Rating	Cat No. W/O Adaptor
63	CSOFE0063
100	CSOFE0100
125	CSOFE0125
200	CSOFE0200
250	CSOFE0250
400	CSOFE0400
630	CSOFE0630
800	CSOFE0800
1000	CSOFE1000

